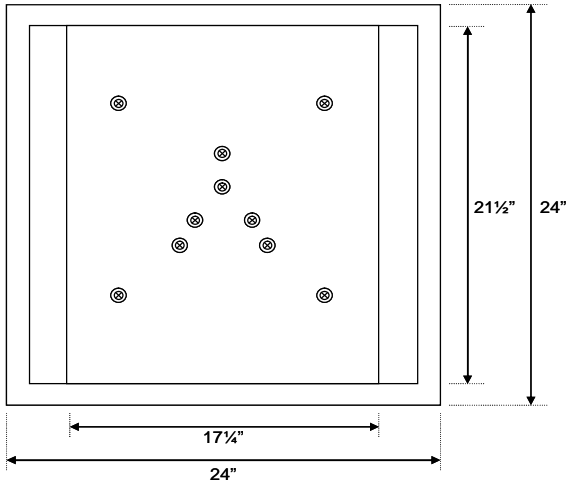


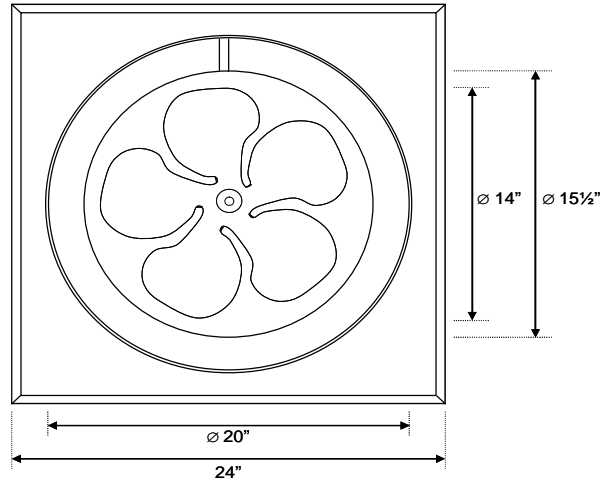
Technical Data Sheet

Model: AB-254D
Description: Solar powered ventilation fan; remote mounted PV panel; curb-mounted vent housing; powder coated finish
Revision: 1
Date: 14-Nov-08
DCN: TDS-1018

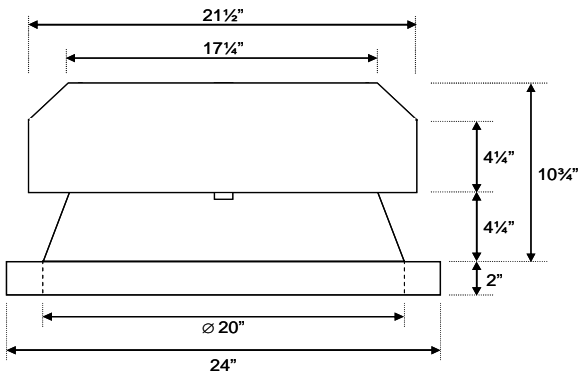
Top View



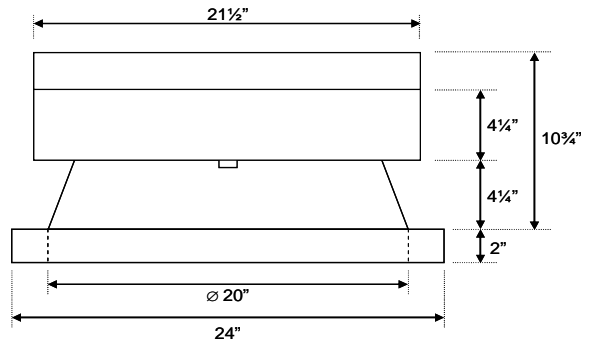
Bottom View



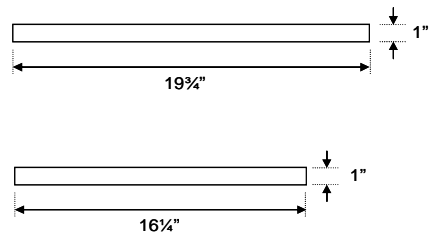
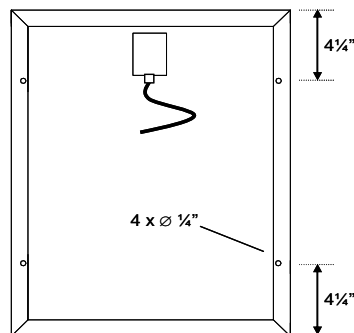
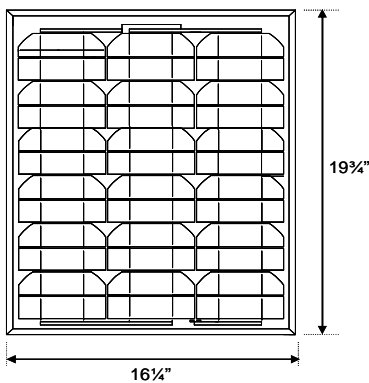
Front View



Side View



Remote Solar Panel



Model AB-254D Specifications

Material of Construction

Vent Housing: 24 GA Zincolume (ASTM A792 - 55% Aluminum-Zinc Alloy Coated by Hot-Dip Process)
Rodent Screen: 1/4" Mesh Galvanized Steel Screen
Fan Blade: 14" 5-Wing Aluminum Blade; 1/4" Hub
PV Panel: Aluminum/Tempered Glass
Finish: Powder Coated; TGIC polyester coating; 3-6 mils average thickness

Electrical

Motor: 38.3 VDC variable speed DC motor
PV Panel: 17.2 VDC; 1.45 A; 25 W monocrystalline, 36 cells
Internal Wiring: 18 AWG
Remote Cable: SJTW (or equivalent) UV/Water resistant cable; 15' x 18AWGX2C

Performance

Max Flow Rate 1550 CFM @ 0.0 inH2O
Noise Level < 1 sones
Wind Rating 110+ MPH

Weight Load

Fan Unit 22 LBS
PV Panel 6 LBS

