



**PRACTICAL USER'S GUIDE
FOR THE
DIMPLEX GARAGE / UTILITY HEATER
MODEL: DGWH4031**



QUICK REFERENCE GUIDE

- 1. Prior to the first use of the heater verify the following: Are the circuit breakers for the heater on?**
- 2. The heater may emit a slight, harmless odor when first used. This odor is a normal condition caused by the initial heating of internal heater parts and will not occur again.**
- 3. If you have any technical questions, questions regarding the operation of your heater, or require service for your heater contact Dimplex North America customer service at 1-888-DIMPLEX (1-888-346-7539).**

IMPORTANT INSTRUCTIONS - READ FIRST

When using electrical appliances, basic precautions should always be followed to reduce the risk of fire, electric shock, and injury to persons, including the following:

1. Read all instructions before using this heater.
2. This heater is hot when in use. To avoid burns, do not let bare skin touch hot surfaces. Use the attached handle when moving this heater. Keep combustible materials, such as furniture, pillows, bedding, papers, clothes, and curtains at least 3 feet (0.9m) from the front of the heater and keep these away from the sides and rear.
3. Extreme caution is necessary when any heater is used by or near children or invalids and whenever the heater is left operating and unattended.
4. Always unplug the heater when not in use.
5. Do not operate heater if: cord or plug is damaged, heater has malfunctioned or heater has been dropped / damaged in any manner. Return heater to authorized service facility for examination, electrical or mechanical adjustment, or repair.
6. Do not use outdoors.
7. Heater - not intended for use in bathrooms, laundry areas and other similar indoor locations. Never locate heater where it may fall into a bathtub or other water container.
8. Do not cover cord with carpeting, throw rugs, runners, or the like. Arrange cord away from traffic area where it will not be tripped over.
9. To disconnect, turn controls to OFF, then remove plug from the outlet.
10. Connect to properly grounded outlets only.
11. Do not insert or allow foreign objects to enter any ventilation or exhaust opening as this may cause an electric shock to persons and/or may cause fire or damage to heater.
12. To prevent a possible fire, do not block air intake or exhaust in any manner. Do not use on soft surfaces where openings may become blocked.
13. All electrical heaters have hot, and arcing or sparking parts inside. Do not use in areas where gasoline, paint, or flammable liquids are used or stored or where the unit will be exposed to flammable vapors.
14. Do not modify this heater. Use it only as described in this manual. Any other use not recommended by the manufacturer may cause fire, electric shock or injury to persons.
15. Avoid the use of an extension cord. Extension cords may overheat and cause a risk of fire. If you must use an extension cord, the cord must be No. 12 AWG minimum size and rated no less than 5000 watts.
16. This heater includes a visual alarm (red light) to warn that parts of the heater are over heating. If the red light turns on, immediately turn heater off and inspect for any objects on or adjacent to the heater that may cause high temperatures. **DO NOT OPERATE WHEN RED LIGHT IS ON.**
17. Always use a certified electrician should new circuits or outlets be required.
18. Disconnect all power supply before performing any cleaning, maintenance or relocation of the heater.
19. When transporting or storing the heater and cord, keep in a dry place, free from excessive vibration and store so as to avoid damage.
20. **SAVE THESE INSTRUCTIONS**

GROUNDING INSTRUCTIONS

This heater is for use on 240 volts. The cord has a plug as shown on Fig. 1. No adapter is available for this blade configuration, and none should be used. The type outlet is a 240 volt grounding outlet. When properly installed, it provides a ground connection through the cord to the heater to protect the operation from electric shock.

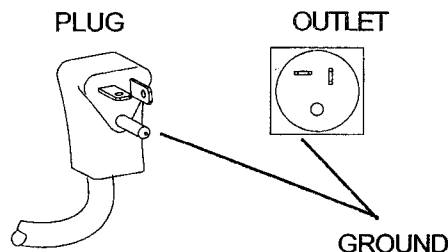


Fig.1 Plug and outlet configuration for 240 volt, 20 Amp circuit

HEATER LOCATION AND CLEARANCES

The heater is intended for use located on a hard floor, table top, desk or on shelf, and the like, or suspended on a wall or ceiling by means of provided hanger bracket.

When suspended from wall or ceiling heater should be located along outside walls to provide perimeter air circulation.

The discharge air should wipe the walls without blowing directly on them. (Figure 2.)

If heater is to be tilted on horizontal axis after mounting - ensure a minimum clearance of 26.5 inches (67 cm) between floor and bottom of heater. Also, when mounted to ceiling, ensure a minimum clearance of 3.5 inches (9 cm) from ceiling to top of heater. Ensure the air discharge is parallel to or away from walls.

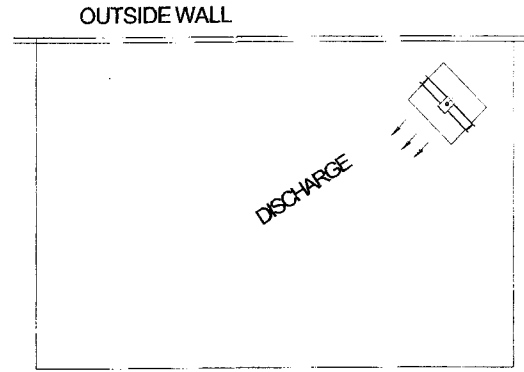


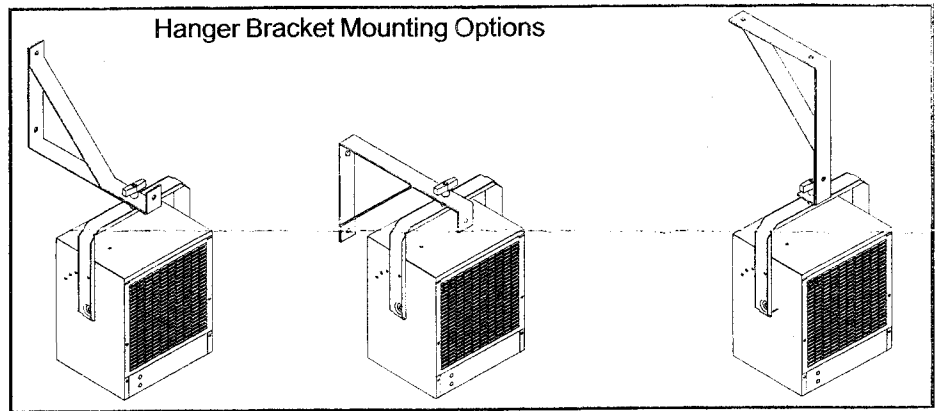
Figure 2.

INSTALLATION WITH WALL/CEILING HANGER BRACKET

NOTE: To prevent personal injury always use a licensed electrician to install new outlets or circuits.

The use of the hanger bracket allows the unit to be rotated approx 45 degrees in each direction from centre, when attached to wall and tilted in 45 degrees range while suspended from a wall or ceiling.

NOTE: The hardware for mounting the hanger bracket to the wall or ceiling is not included.



CAUTION: When turning and/or tilting the heater do not block the exhaust opening.

The following steps are shown in fig.3.

1. Locate a stud or other suitable support and install hanger bracket on wall or ceiling. Select location so control knob on back of heater will be reached easily.
2. Insert carriage bolt into square opening of heater handle.
3. Slide spacer over the carriage bolt shaft and insert in hanger bracket opening and hold them in position.
4. Slide lock washer and thread on T-Handle onto carriage bolt, turn to tighten.

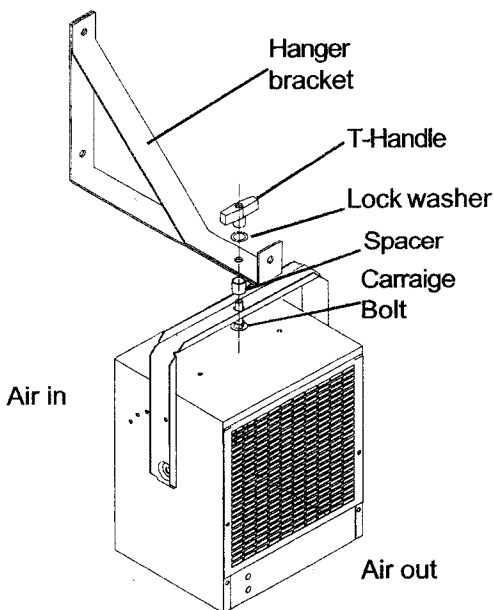
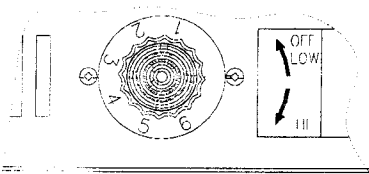


Fig.3

OPERATION (Setting the thermostat)

1. Before connecting or disconnecting plug, turn knob fully counterclockwise. (See fig. 4)
2. Heater is equipped with a thermostat. To adjust temperature to your individual requirements, turn thermostat control knob clockwise all the way to turn heater on, the yellow power light will illuminate (fig. 5). When room reaches desired temperature, turn thermostat knob counterclockwise until you hear click. Leave in this position to maintain room temperature at this setting. For additional heat, turn clockwise until you hear click again and heater will turn on. To shut heater off turn thermostat knob counterclockwise all the way. The yellow power indicator light will turn off.

NOTE: Heater is equipped with a fan delay to dissipate residual heat from the element. Heater fan will run for a brief period after heater has reached room temperature.



Thermostat control knob
(shown in off position)

Fig.4

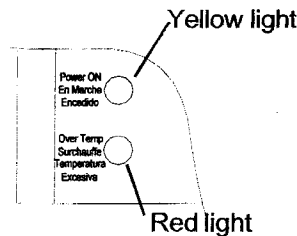


Fig.5

MAINTENANCE AND CLEANING

Warning:

Disconnect power before attempting any maintenance or cleaning to reduce the risk of fire, electric shock or damage to persons.

Allow at least 30 minutes for the heater to cool before attempting any maintenance or cleaning. To clean the exterior surface, use a solution of water and mild detergent, apply with damp sponge. Wipe dry with a dry cloth. **DO NOT** plug heater into outlet until it has dried thoroughly.

WARRANTY

Dimplex Electric Heaters are tested and inspected prior to shipment and are guaranteed free from defect to the purchaser of each new product. Any part which proves to be defective in material or workmanship under normal use within one year will be repaired or replaced without charge. The Company will not be responsible for any expense incurred for installation, removal from service, or transportation costs. Any such defect should be brought to the attention of the Dealer where the product was purchased and is authorized to repair or replace within the terms of this warranty.

The Company's only obligation under this warranty will be at its sole option to repair or replace any part proving defective or to refund the purchase price thereof.

The owner/user assumes all other risks, if any, including the risk of any direct, indirect or consequential loss or damage arising out of the use of or inability to use the product.

The warranty will not apply if, in the sole judgment of the Company, damage or failure has resulted from accident, alteration, misuse, abuse, incorrect installation, or operation on an incorrect power source.

The foregoing is in lieu of all other warranties expressed, implied, or statutory, and the Company neither assumes, nor authorizes any person to assume for it any other obligation, or liability in connection with said product.

 **Dimplex** 1-888-DIMPLEX

NORTH AMERICA LIMITED

1-888-346-7539

1367 Industrial Road, Cambridge, Ontario, Canada, N1R 7G8

Printed in China
7204830200 Rev.01