

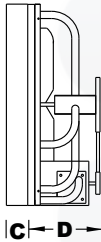
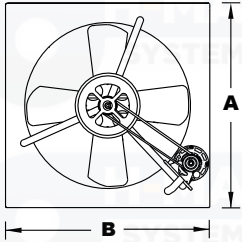
# Commercial Exhaust Fans & Shutters

## Belt-Drive Exhaust Fan

### Features

- 120V, 1 phase or 230 / 460V, 3-Pphase, ball bearing, permanently lubricated, drip proof motor
- Permanently lubricated bearings on blade drive shaft
- Aluminum blade
- Powder coated venturi and blade
- 1725 RPM • Motor frame size 56 • 5/8" shaft • 1 year warranty

### Dimensions (Inches)



MODEL	DIMENSIONS A x B x C x D
CE-24B	29.5" x 28" x .75" x 17"
CE-30B	35.5" x 34" x .75" x 17"
CE-36B	41.5" x 40" x .75" x 17"
CE-42B	48" x 48" x .75" x 17"
CE-48B	54" x 54" x .75" x 17"



### Standard Models

SIZE	MOTOR HP	AMPS		CFM	WT. (LBS)	115V 1Ph		230/460V 3Ph	
		115V	230/460V			UPC# 686334	MODEL	UPC# 686334	MODEL
24	1/3	5	1.9 / .9	3270	50	796705	CE-24B	851046	CE-24B-3
30	1/3	6	1.9 / .9	7730	60	796712	CE-30B	851053	CE-30B-3
36	1/2	8	2.3 / 1.1	9870	65	796729	CE-36B	851060	CE-36B-3
42	3/4	11	3.3 / 1.5	14800	75	796736	CE-42B	851077	CE-42-B-3
48	1	15	3.8 / 1.9	21500	98	796743	CE-48B	851084	CE-48-B-3

### Optional Exhaust Shutters



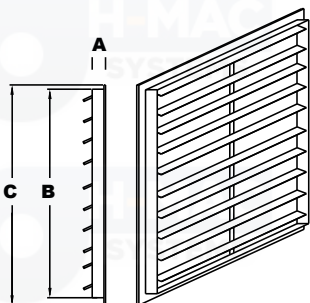
### Features

- Air open - gravity close
- Aluminum frame
- Aluminum blade
- Weather stripping for tighter seal

### Standard Models

UPC# 686334	MODEL	SHIPPING WT.(LBS.)
796750	CES-24	20
796767	CES-30	28
796774	CES-36	34
796781	CES-42	55
796798	CES-48	64

### Shutter Dimensions (Inches)



- (A) Thickness  
(B) Blade Housing Size  
(C) Overall Size

### Standard Models

MODEL	OVERALL DIMENSIONS A x C x C	WALL HOLE SIZE B x B
CES-24	3" x 27" x 27"	25" x 25"
CES-30	3" x 33" x 33"	31" x 31"
CES-36	3" x 39" x 39"	37" x 37"
CES-42	3" x 45" x 45"	43" x 43"
CES-48	3" x 51" x 51"	49" x 49"